



Read the instruction carefully. Remove all the wrapping material. Staples and straps from the carton. Refer to the hardware and furniture part list for guidance. Be sure that you have all the parts before you start assembling. Place all the wooden furniture part on a clean and flat soft surface, such as carpet or rubbermat to prevent from scratches

**CAUTION**  
KEEP ALL THE PARTS OUT REACH OF CHILDREN

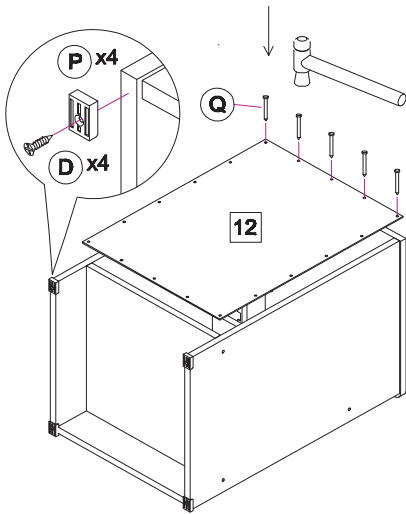
HARDWARE	<b>A</b> JCBC 40mm x6	<b>B</b> x1	<b>C</b> 25mm x6	<b>D</b> 16mm x14	<b>E</b> 12mm x21	<b>F</b> 25mm x14	<b>G</b> x4	<b>H</b> x2	<b>I</b> 96mm x2
	<b>J</b> x1	<b>K</b> x1	<b>L</b> x4	<b>M</b> x2	<b>N</b> x2	<b>O</b> x1	<b>P</b> x4	<b>Q</b> x25	<b>R</b> 30mm x2

PART	<b>1</b> x1	<b>2</b> x1	<b>3</b> x1	<b>4</b> x1	<b>5</b> x1	<b>6</b> x1
	<b>7</b> x1	<b>8</b> x1	<b>9</b> x1	<b>10</b> x1	<b>11</b> x1	<b>12</b> x1

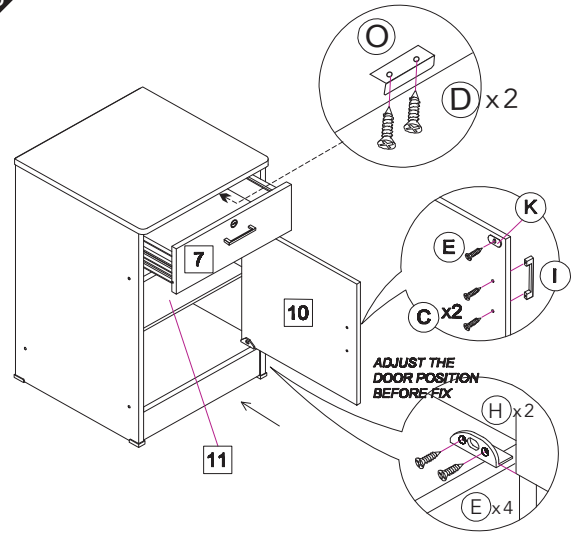




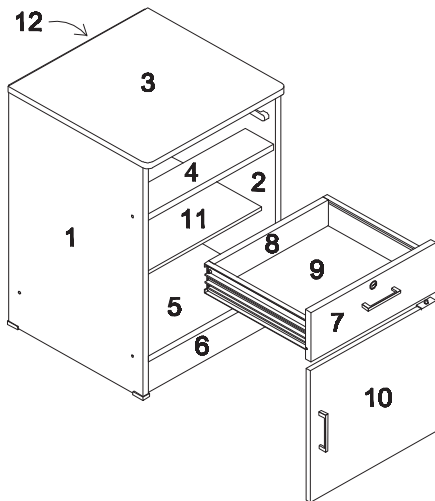
5



6



7



8

