

## CODING

-511021







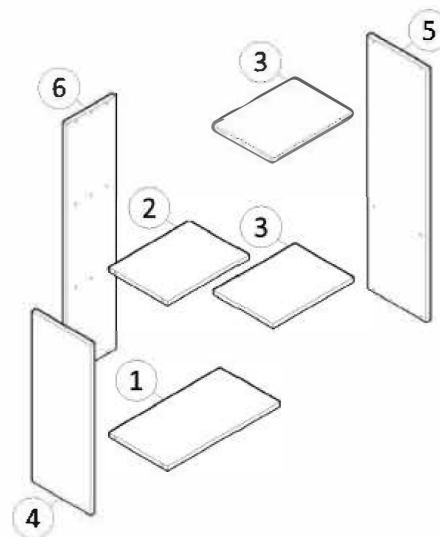
ISO 9001:2015  
Reg. No. 00435-1-01Y-1-Q08

Read the instructions carefully. Remove all the wrappings , staples and straps from the carton. Refer to the hardware and furniture part list for guidance. Make sure that you have all the parts before you start assembling. Place all the wooden furniture parts on a clean, flat and soft surface, such as a carpet or rubbermat to prevent scratches.

### CAUTION

KEEP ALL THE PARTS OUT OF CHILDREN'S REACH.

ITEM	PHOTO	HARDWARE NAME	QTY	ITEM	PHOTO	PARTS NAME	QTY
(A)		MINIFIX M5X24MM	10 PCS	(1)		BOTTOM PANEL	1 PC
(B)		MINIFIX CASING	10 PCS	(2)		SHELF PANEL LEFT	1 PC
(C)		WOOD DOWEL M8X30MM	8 PCS	(3)		SHELF PANEL RIGHT	2 PCS
(D)		SCREW M6X50MM	4 PCS	(4)		SIDE PANEL LEFT	1 PC
(E)		ALLEN KEY	1 PC	(5)		SIDE PANEL RIGHT	1 PC
(F)		LEG NAIL WHITE PIN	4 PCS	(6)		BACK PANEL	1 PC





**CODING**  
-511020

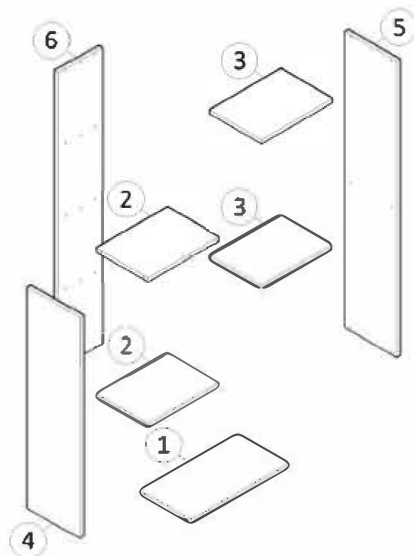


ISO 9001:2015  
Reg. No. 00035-1-01Y-1-Q06

Read the instructions carefully. Remove all the wrappings, staples and straps from the carton. Refer to the hardware and furniture part list for guidance. Make sure that you have all the parts before you start assembling. Place all the wooden furniture parts on a clean, flat and soft surface, such as a carpet or rubbermat to prevent scratches.

**CAUTION**  
KEEP ALL THE PARTS OUT OF CHILDREN'S REACH.

ITEM	PHOTO	HARDWARE NAME	QTY	ITEM	PHOTO	PARTS NAME	QTY
(A)		MINIFIX M5X24MM	12 PCS	(1)		BOTTOM PANEL	1 PC
(B)		MINIFIX CASING	12 PCS	(2)		SHELF PANEL LEFT	2 PCS
(C)		WOOD DOWEL M8X30MM	10 PCS	(3)		SHELF PANEL RIGHT	2 PCS
(D)		SCREW M6X50MM	5 PCS	(4)		SIDE PANEL LEFT	1 PC
(E)		ALLEN KEY	1 PC	(5)		SIDE PANEL RIGHT	1 PC
(F)		LEG NAIL WHITE PIN	4 PCS	(6)		BACK PANEL	1 PC



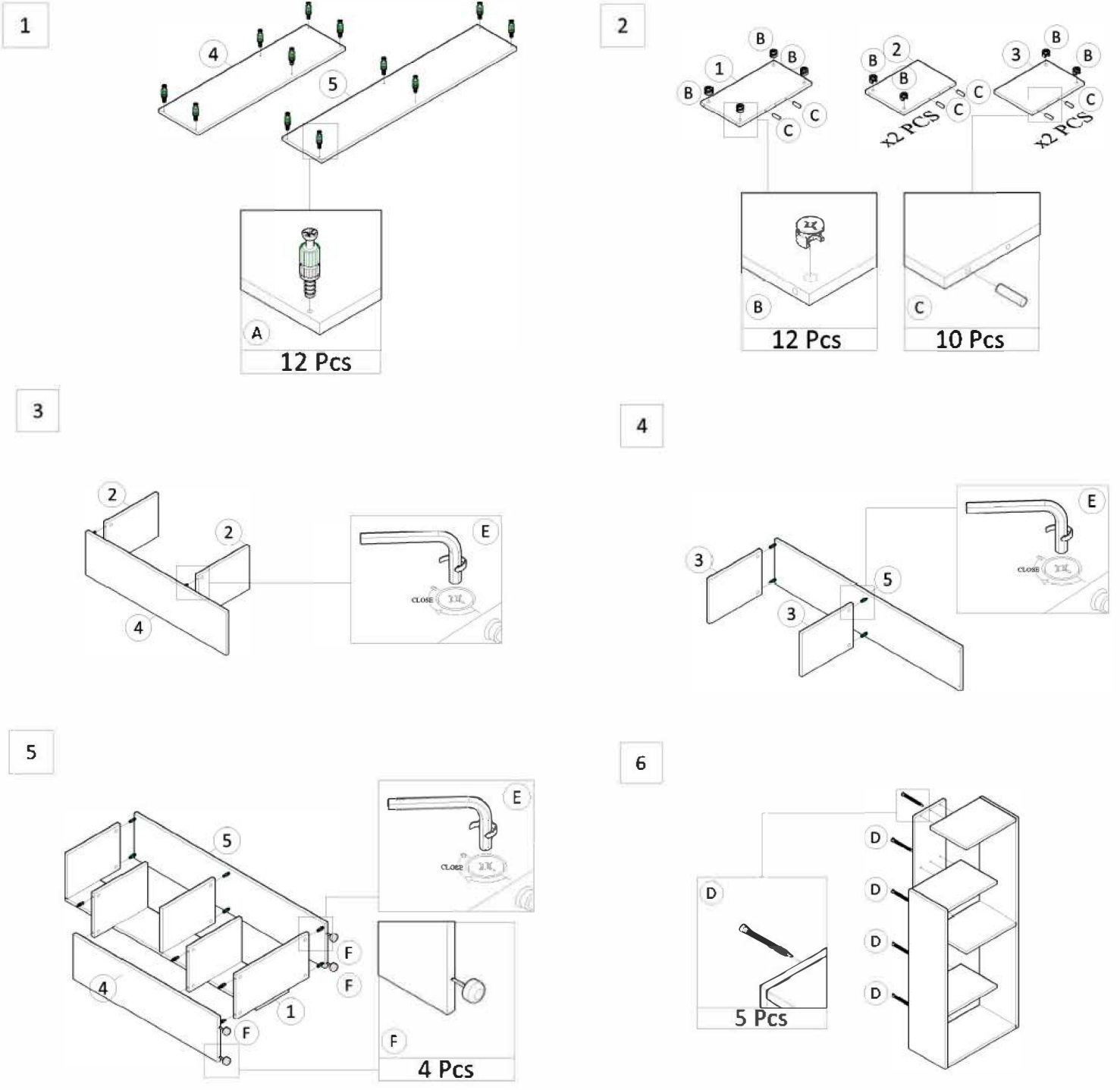
# CHICAGO

CODING  
-511020



ISO 9001:2015  
Reg. No. 00035-1-01Y-1-Q06

nuhoom.com



## CODING

-511019



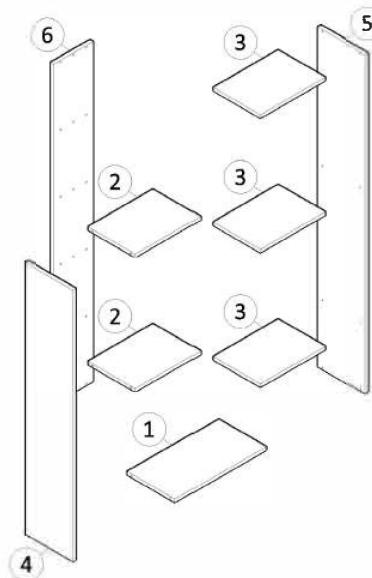
ISO 9001:2015  
Reg. No. 00035-1-01Y-1-Q08

Read the instructions carefully. Remove all the wrappings, staples and straps from the carton. Refer to the hardware and furniture part list for guidance. Make sure that you have all the parts before you start assembling. Place all the wooden furniture parts on a clean, flat and soft surface, such as a carpet or rubbermat to prevent scratches.

**CAUTION**  
KEEP ALL THE PARTS OUT OF CHILDREN'S REACH.

ITEM	PHOTO	HARDWARE NAME	QTY
(A)		MINIFIX M5X24MM	14 PCS
(B)		MINIFIX CASING	14 PCS
(C)		WOOD DOWEL M8X30MM	12 PCS
(D)		SCREW M6X50MM	6 PCS
(E)		ALLEN KEY	1 PC
(F)		LEG NAIL WHITE PIN	4 PCS

ITEM	PHOTO	PARTS NAME	QTY
(1)		BOTTOM PANEL	1 PC
(2)		SHELF PANEL LEFT	2 PCS
(3)		SHELF PANEL RIGHT	3 PCS
(4)		SIDE PANEL LEFT	1 PC
(5)		SIDE PANEL RIGHT	1 PC
(6)		BACK PANEL	1 PC



# CHICAGO

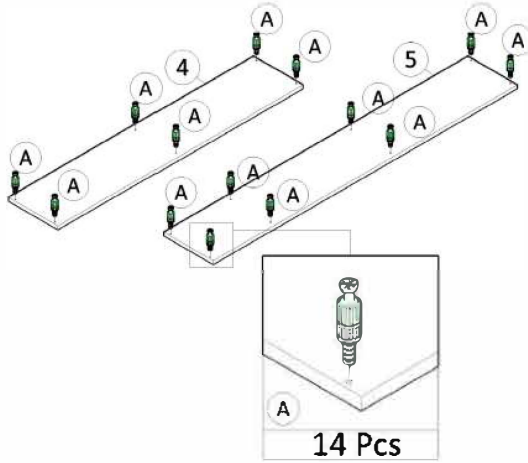
CODING

-511019

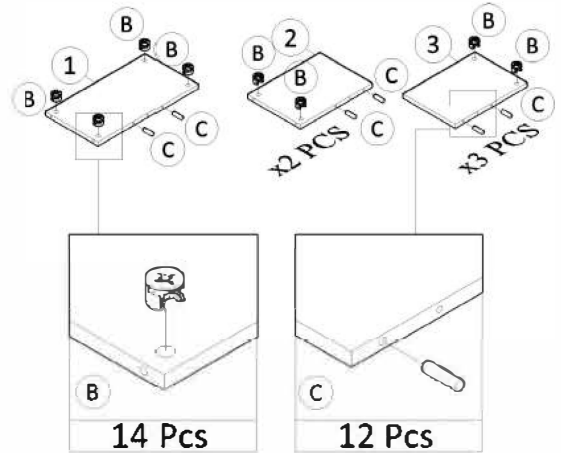


ISO 9001:2015  
Reg. No. 00035-1-01Y-1-Q08

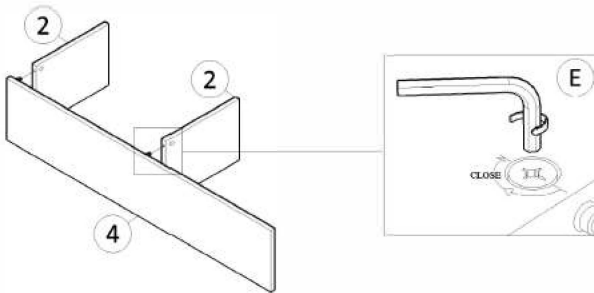
1



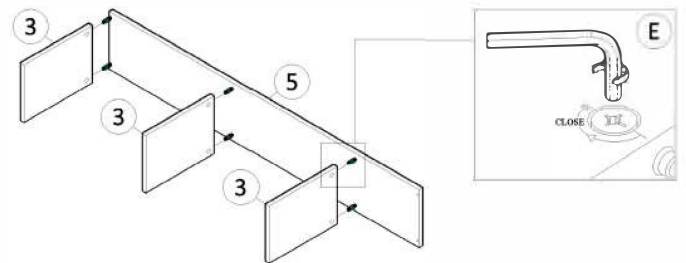
2



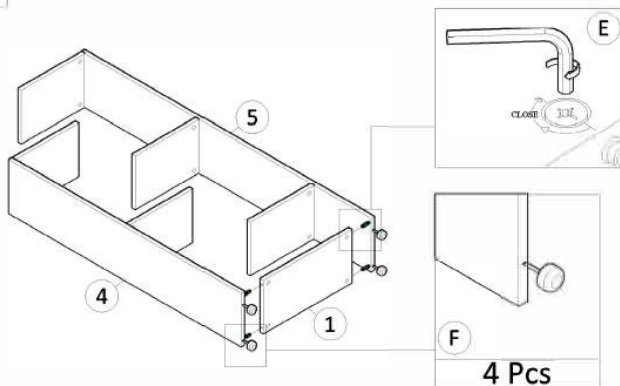
3



4



5



6

